

Standard Full Nut

Thread Type: Metric - Fine

Thread Direction: Right Hand

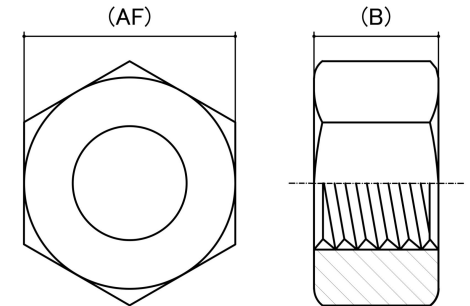
Material: Carbon Steel

Class Grade: High Tensile Class 8

Finish: Plain Black Uncoated

Corrosion Protection Level: Poor

Standard: AS 1112



*CAD drawings shown for graphic representation only.**

Size	Thread Pitch (mm)	Thread Type	Overall Nut Height (B) (mm)		Across Flats (AF) (mm)		Spanner Size (AF) (mm)	sku (qfind)
			Min	Max	Min	Max		
M8	1.00	Fine	6.44	6.93	12.73	13.00	13	41MF8100P
M10	1.25	Fine	8.04	8.40	15.73	16.00	16	41MF10125P
M12	1.50	Fine	10.37	10.80	17.73	18.00	18	41MF12150P
M12	1.25	Fine	10.37	10.80	17.73	18.00	18	41MF12125P
M16	1.50	Fine	14.10	14.80	23.67	24.00	24	41MF16150P
M18	1.50	Fine	15.10	15.80	26.16	27.00	27	41MF18150P
M20	1.50	Fine	16.90	18.00	29.16	30.00	30	41MF20150P
M24	2.00	Fine	20.20	21.50	35.16	36.00	36	41MF24200P
M24	1.50	Fine	20.20	21.50	35.16	36.00	36	41MF24150P

Disclaimer:

Dimensional data and technical information was obtained from publically available sources and not acquired through standard agencies. It has been completed and compiled for reference purposes only; where discrepancies are found they are subject to change without notice. Bolt & Nut Australia makes no warranties or representations regarding the accuracy and validity of the compiled information and data. Contact the relevant standard authorities for accurate and detailed information.

* CAD drawings may not reflect diameter, thread length or overall length.

© Bolt & Nut Australia Pty Ltd. All rights reserved.

Version: 18 Mar 2024